

Benefits – Start-up Bleeding and Venting Valve EB 3.52

sturdy valve technology

low maintenance

1

large seat surface, soft seal

2

Mankenberg clamp system

easy maintenance

3

deep-drawn CrNiMo steel (316), corrosion-resistant, lightweight and compact

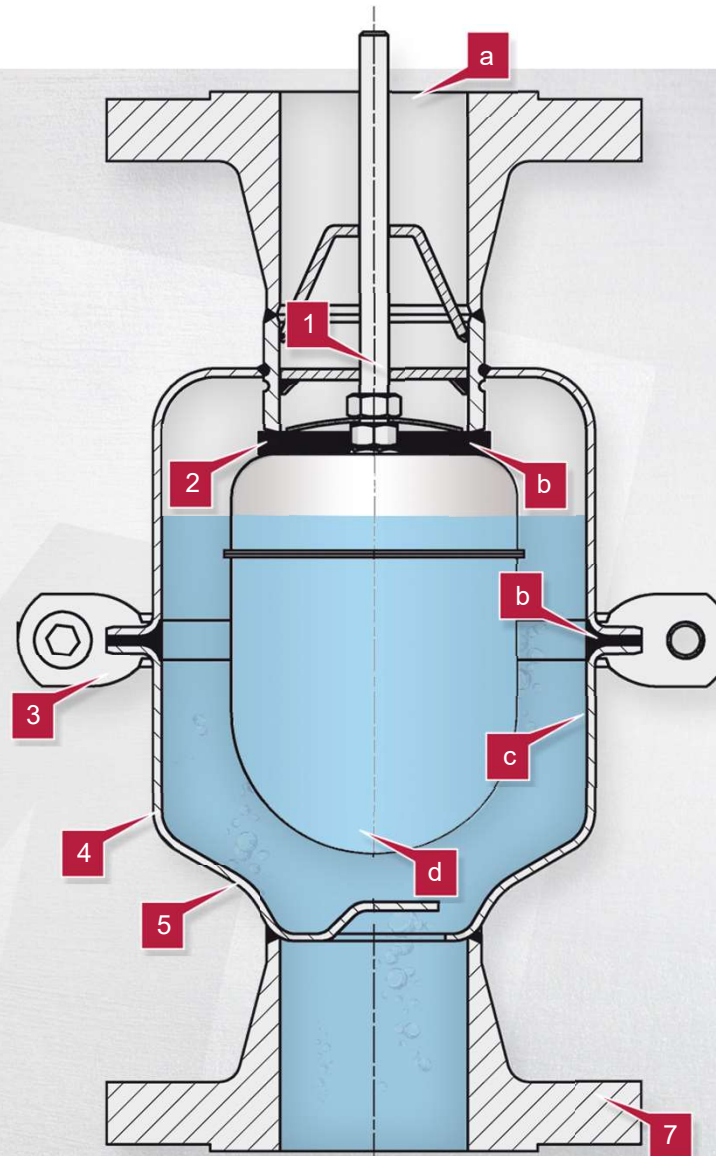
long operational lifespan, manageable installation, minimum space required

4

Body with excellent surface quality

easy-to-clean

5



internal parts and float resistant to pressure and corrosion, made of CrNiMo-steel (316)

long operational lifespan

6

various connection possibilities: DIN, ANSI- or aseptic flanges, welding ends ...

no adapters or fitting pieces required

7

Optionen

Non-return valve to prevent venting

a

Optional elastomer selection
Suitable for ozone, FDA compliant ...

b

Special coating possible
Flexible application in different environmental conditions

c

Float adapted to medium density

d