

Benefits – Start-up Bleeding and Venting Valve EB 3.51

Particular Feature

special sealing geometry
closing particularly tightly
also without plant pressure

1

flow-optimised construction
(CFD)

higher flow rate at lower
differential pressure

2

Mankenberg clamp system
easy maintenance

3

deep-drawn CrNiMo steel
(316), corrosion-resistant,
lightweight and compact –
also available in special
materials and sea water-
resistant design

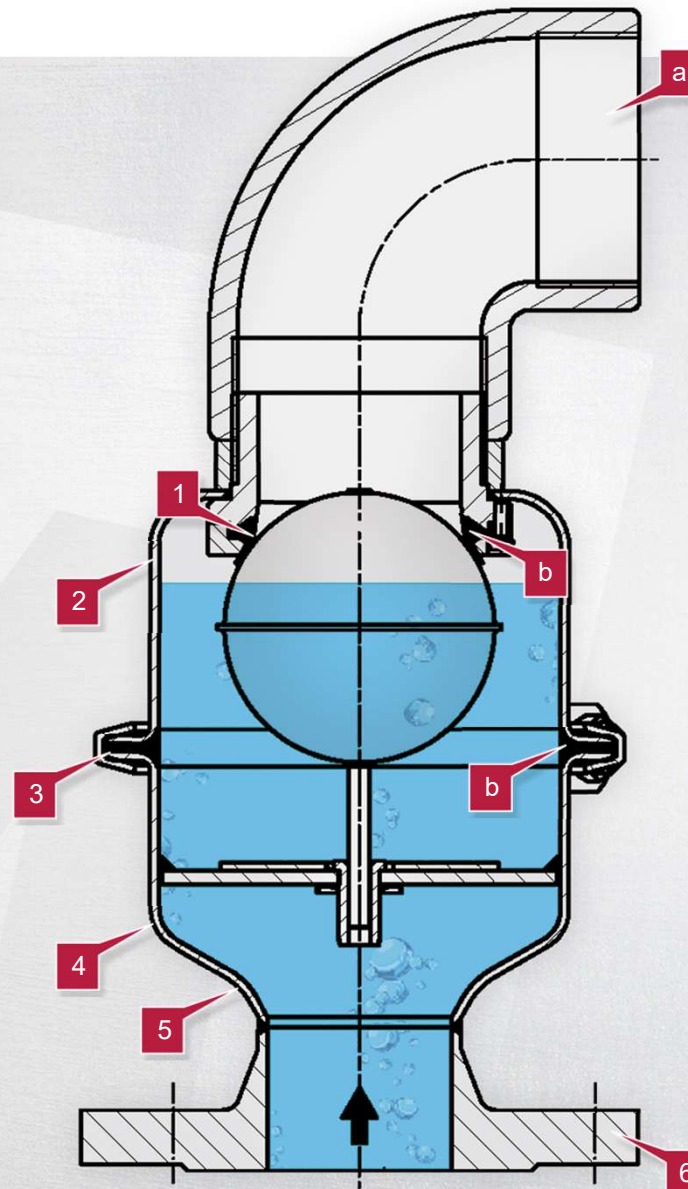
short delivery times, long
operational lifespan,
minimum space required

4

Body with excellent surface
quality

easy-to-clean

5



various connection
possibilities: DIN-, ANSI- or
aseptic flanges, welding
ends ...

no adapters or fitting
pieces required

6

Options

different outlet variants (ill.
shows degassing bend)

optimal safety, flexibility for
your requirement

a

optional elastomers

suitable for ozone, KTW /
FDA-compliant

b