

Bleeding and Venting Valves



Startup Bleeding and Venting Valves EB 3.52

Your advantages at a glance

Connection	DN 25 - 100
Nominal Pressure	PN 16
Operating Pressure	DN 25 - 50 bis 12 bar DN 65 - 100 bis 13 bar
Flow Rate	1935 Nm ³ /h
Temperature	130 °C
Medium	Flüssigkeiten

Universal Valve

Suitable for all liquids | completely made of deep-drawn CrNiMo steel | corrosion resistant, very lightweight and compact | long operational lifespan, manageable installation, available in special materials – such as seawater resistant stainless steels, easy-to-maintain owing to the clamp system – highest effectiveness with compact design

www.mankenberg.de | Tel. +49 (0) 451 - 8 79 75 0

MANKENBERG GmbH | Spenglerstraße 99 | D-23556 Lübeck

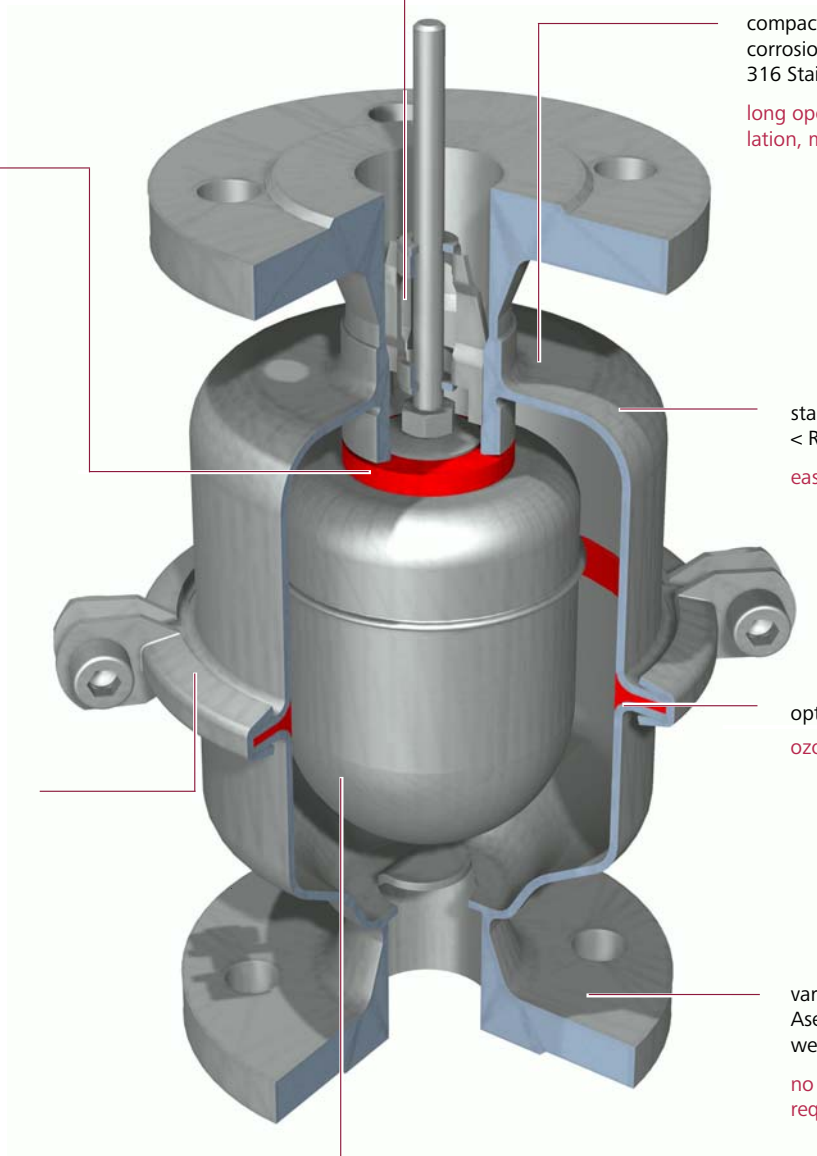
Sheet no. EB 3.52/6.1.-101.1 issue 01.12.2010

sturdy valve mechanism
low maintenance

large seat area,
soft seal

Mankenberg clamp system
fast service

pressure and corrosion resistant
internal parts of deep drawn CrNiMo
stainless steel (Grade 316L)
long operational lifespan



compact, pressure-resistant,
corrosion-resistant by deep drawn
316 Stainless steel

long operational lifespan, easy instal-
lation, minimum space required

standard surface
< RA 1,6 µm
easy to clean

optional elastomers
ozone version, FDA compliant

various connection alternatives:
Aseptic-, DIN- or ANSI flanges
welded ends
no adapters or fitting pieces
required